

Oversize 2½" Handwheel

P/N 3400 (Inch), 3410 (Metric)

P/N 3401 (Inch), 3411 (Metric)

Use of the Oversize Handwheel

These larger 2½" diameter handwheels are graduated the same as the smaller handwheels provided as standard equipment with the lathe and mill. The larger size makes them easier to read and to turn, plus it offers a little more substantial "feel" when working with the tools. They are machined from aluminum and have a black anodized finish to make the laser engraved numbers and calibrations easier to read. They are not recommended for use on both the lathe leadscrew and tailstock together as they will interfere with one another, but can be used anywhere else.

Handwheel Axis Orientation

The engraved numbers on the handwheels are oriented differently for ease of reading depending on the axis to which they are mounted (See Figure 1). For example, if you mount a handwheel designed for the mill X-axis on the mill Y-axis the numbers will appear upside down (See Figure 2).

NOTE: If you are thinking of upgrading your machine's handwheels, you might also want to check out the new Resettable Zero Handwheels (See P/N 3420).

Thank you,
Sherline Products Inc.

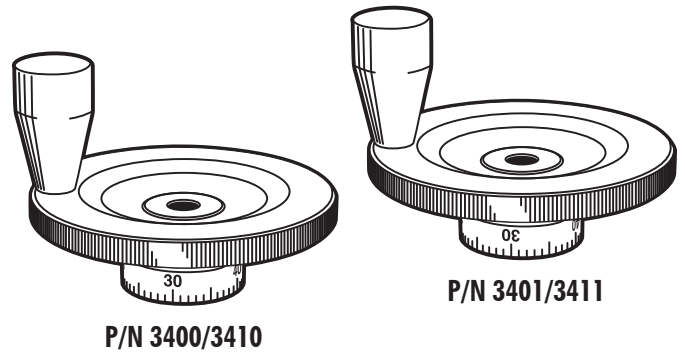


FIGURE 2: Please note the number orientation on the handwheels above. See the chart below to determine which handwheel you need for the proper axis orientation.

P/N (in./met.)	Name	Axes orientations
3400/3410	2½" Oversize Handwheel	Mill table (X -axis) Mill vertical feed (Z-axis) Lathe leadscrew (Z-axis)
3401/3411	2½" Oversize Handwheel	Mill leadscrew (Y-axis) Lathe crossslide (X -axis)

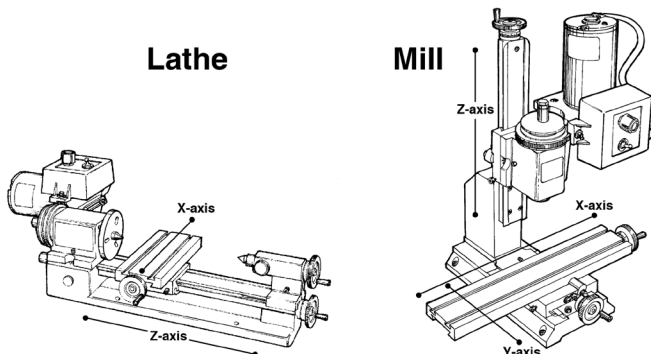


FIGURE 1: Indication of axis name and orientation for lathes and mills.

Parts List

NO. REQ.	PART NO.	DESCRIPTION
1	34020	Oversize Handwheel Knob
1	34030	Oversize Handwheel Shaft
1	34070	2.5" Handwheel Body, X/Z Axis (Met. P/N 34090)
1	34010	2.5" Handwheel Body, Y Axis (Met. P/N 34110)
1	34080	2.5" Handwheel Plug
1	40190	Snap Ring
1	40520	10-32 X 3/16 Cup Pt Set Screw