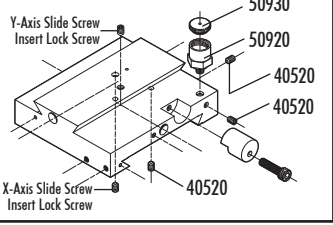


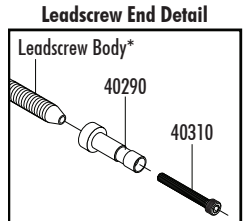
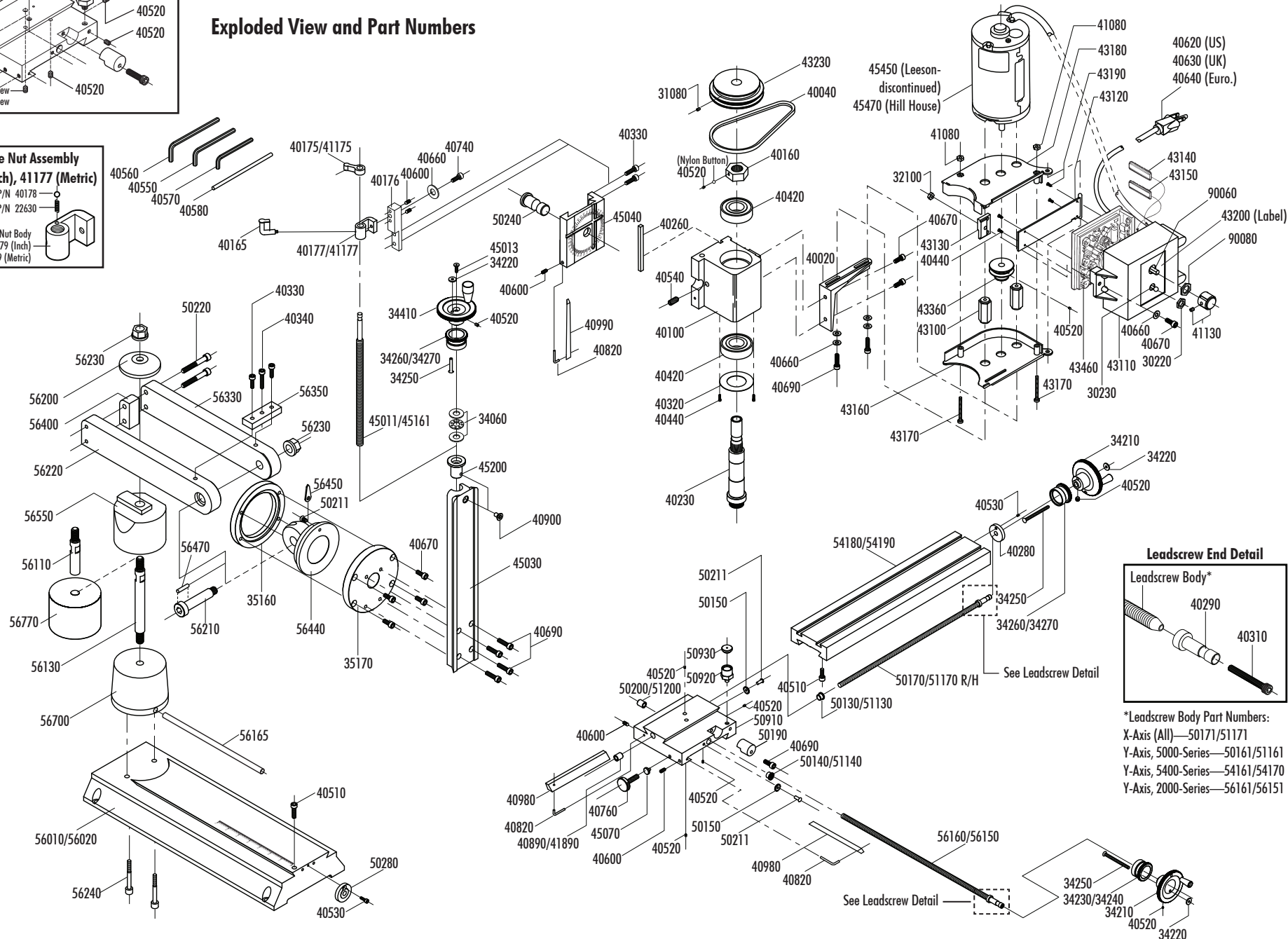
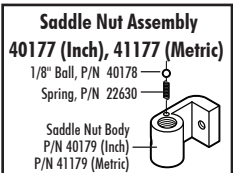
Mill Saddle Oiler Detail



Sherline Manual Model 2000/2010 Vertical Milling Machine

NOTE: Where different, Inch part number is given first, followed by Metric part number.

Exploded View and Part Numbers



*Leadscrew Body Part Numbers:
X-Axis (All)—50171/51171
Y-Axis, 5000-Series—50161/51161
Y-Axis, 5400-Series—54161/54170
Y-Axis, 2000-Series—56161/56151