

Pool Cue Live Center

P/N 1182PC

Use of the Pool Cue Live Center

We designed this center at the request of some of our customers who use our machines (or modifications of our machines) to make pool cues. They needed a live center with an extended nose, to give them room for their cutters. This would allow them to start cutting from the tip of the pool cue without needing extra material to hold onto.

The center body itself is case harden steel which turns on two preloaded sealed ball bearings. It is fitted with a #0

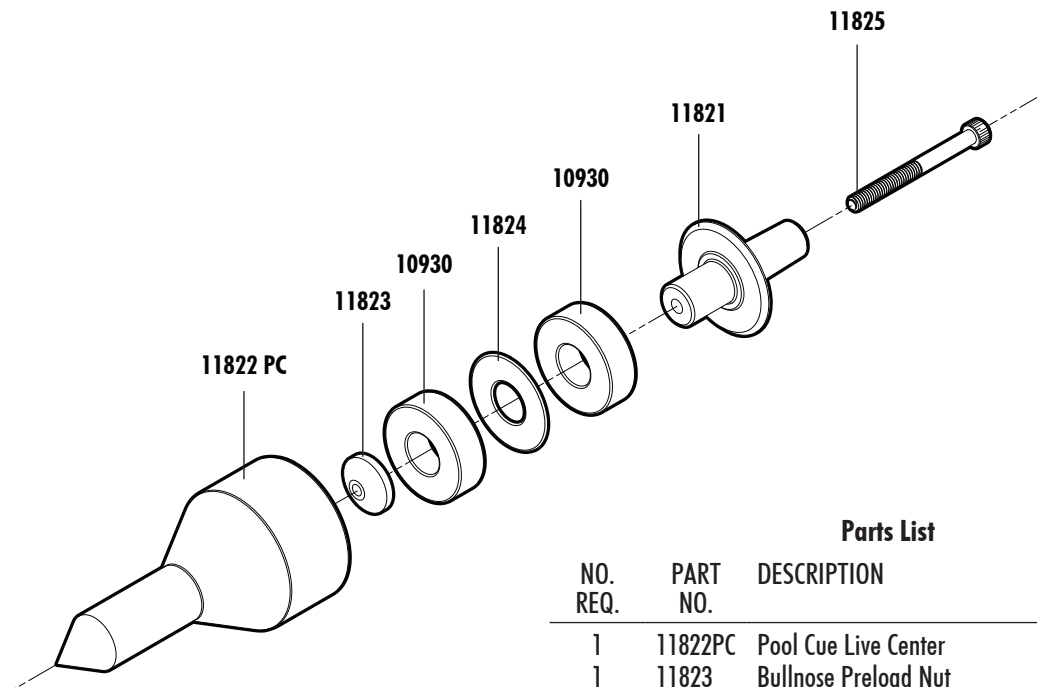
Morse taper to fit our tailstock. The run-out of the 60-degree tip of the live center is .002" or less.

The sealed bearings are permanently lubricated and require no maintenance.

For more information on the use of live centers, see P/N 1191.

Thank you,
Sherline Products Inc.

EXPLODED VIEW AND PART NUMBERS



Parts List

NO. REQ.	PART NO.	DESCRIPTION
1	11822PC	Pool Cue Live Center
1	11823	Bullnose Preload Nut
2	10930	3/8" Bearing
1	11824	Bullnosed Shim Washer
1	11821	Bullnose Center Body
1	11825	5-40 X 1 1/2" Socket Head Cap Screw

NOTE: The bearings are pressed in at the factory. Preload on the bearings is adjusted before the nose piece is installed. Once assembled, the 1182PC Pool Cue Live Center is not considered user-serviceable. Parts are shown for reference only.