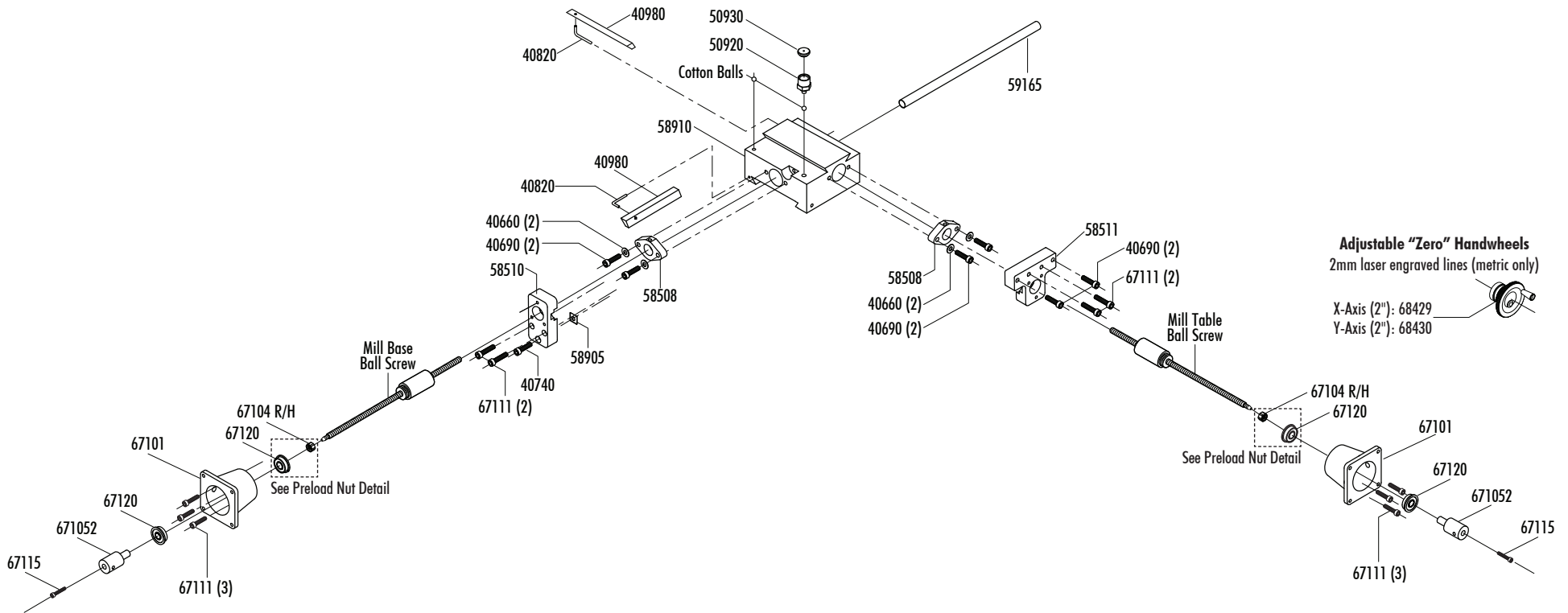


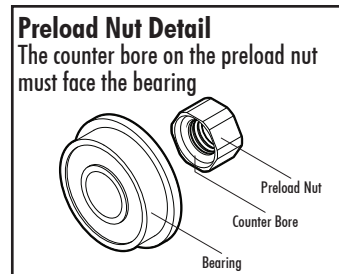
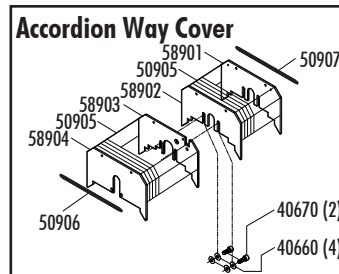
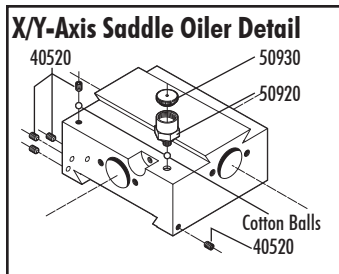
# Sherline 6810 CNC X/Y-Axis Ball Screw Retrofit Kit

## Exploded View and Part Numbers



**Adjustable "Zero" Handwheels**  
 2mm laser engraved lines (metric only)

X-Axis (2"): 68429  
 Y-Axis (2"): 68430



Ball Leadscrew Part Numbers	
PART NO.	DESCRIPTION
54175	13" Mill Table
54185	18" Mill Table
54162	12" Mill Base
56162	14" Mill Base
56195	18" Mill Base