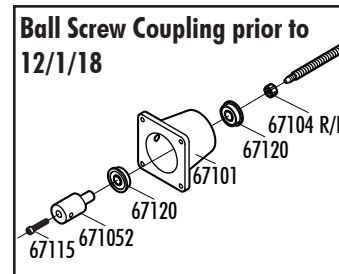
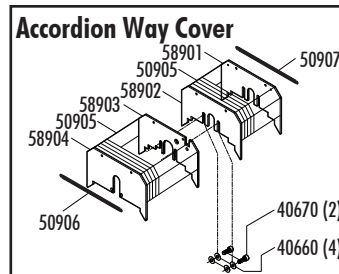
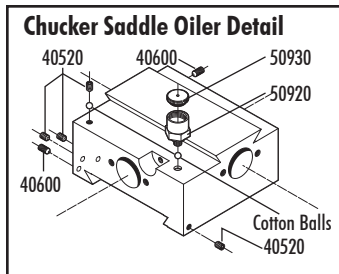
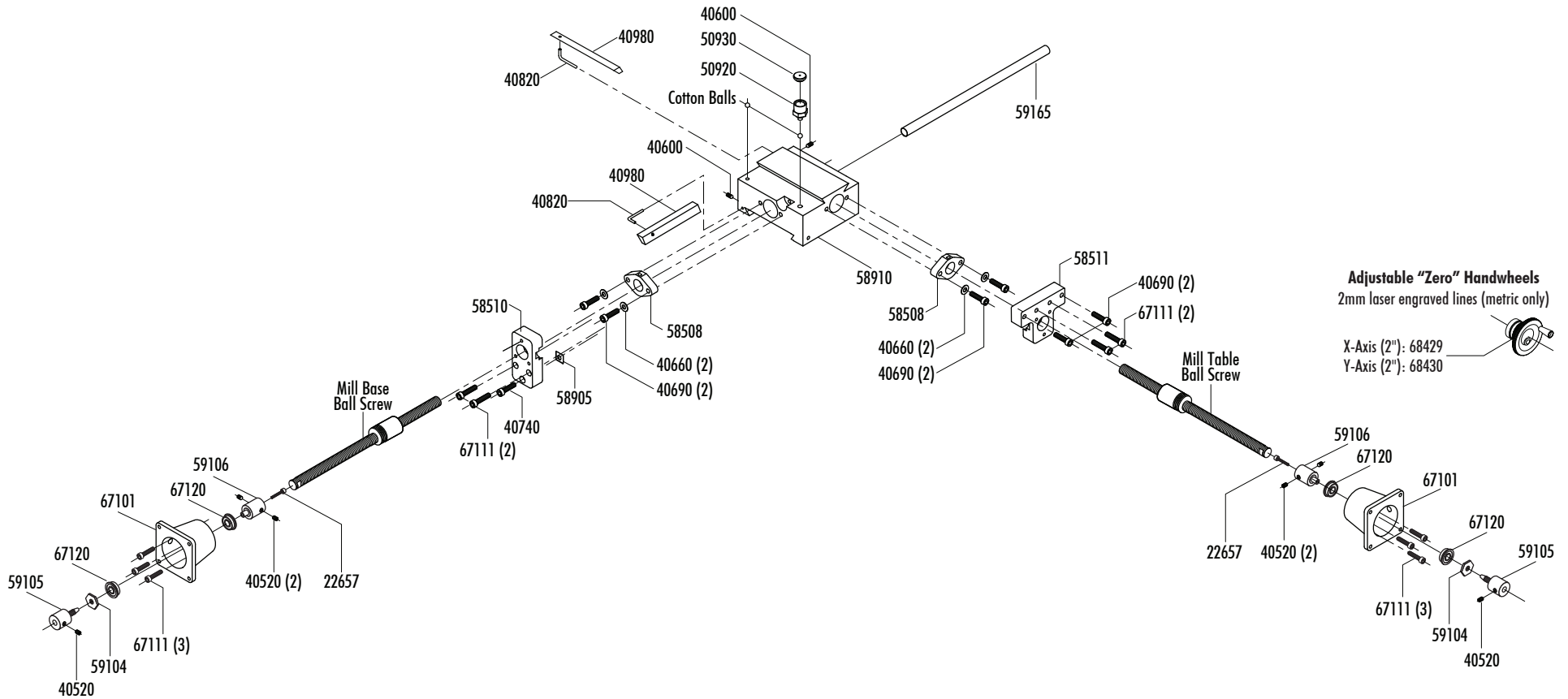


Sherline 6810 CNC X/Y-Axis Ball Screw Retrofit Kit

Exploded View and Part Numbers



Ball Leadscrew Part Numbers	
PART NO.	DESCRIPTION
54175	13" Mill Table
54185	18" Mill Table
54162	12" Mill Base
56162	14" Mill Base
56195	18" Mill Base