

**SHERLINE
PRODUCTS**
INCORPORATED 1974

Manual Rotary Table Upgrade to CNC-Ready

P/N 87001

Upgrading Your Manual Rotary Table to CNC-Ready

To upgrade a manual rotary table to CNC-ready, the entire worm housing and the components inside must be replaced with a CNC worm housing. This is done as a factory-only replacement. The manual worm housing, P/N 37120, has to be replaced with CNC worm housing, P/N 37121 (see exploded views for details). It then needs to be ground to match the base, and then it needs to be assembled and adjusted.

You must call or email us to obtain an RMA # (Return Authorization),

Manual Worm Housing and Components

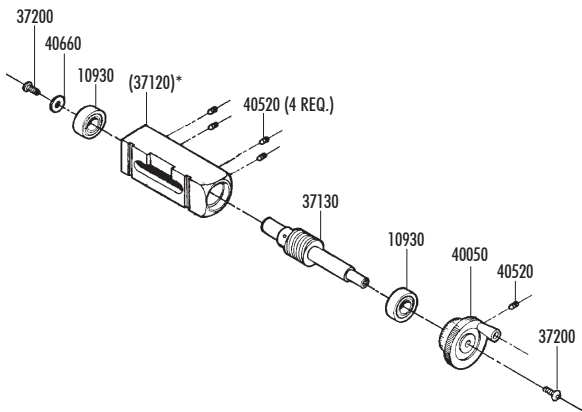


FIGURE 1

* Worm housings are not sold separately.

CNC Worm Housing and Components

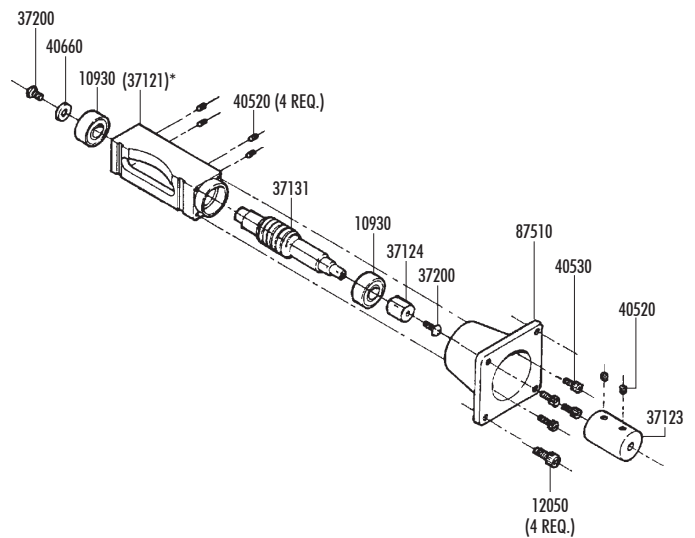


FIGURE 2

The advantage of upgrading your manual table to a CNC-ready version is that the factory conversion is about \$160.00 less than buying a new CNC-ready rotary table.

NOTE: You can add a stepper motor of your choice to your CNC-ready upgrade at an additional cost.

Standard stepper motor: P/N 67127

High-torque stepper motor: P/N 67126

Thank you,
Sherline Products Inc.